

KODEN

5.6-inch Color LCD
Echo Sounder

CVS-118MkII

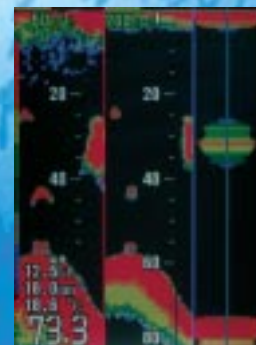
Sunlight friendly!



Standard color



Daytime color



Nighttime color

FEATURES

Bright Daylight Viewable Display

Highly visible 5.6" LCD display with wide viewing angle and special anti-reflection coated filter enhances visibility in bright conditions. In addition, brightness and color tones can be adjusted for nighttime use. Even the smallest fish targets can be seen, no matter the lighting conditions.

Dual-frequency Operation

Dual-frequency (50 kHz and 200 kHz) operation is featured in this value packed echo sounder. The CVS-118MkII is suitable for all fisheries. Select 50 kHz for deepwater performance and 200 kHz for shallow water or detecting small targets like bait fish. Split display even allows you to compare echoes in both 50 kHz and 200 kHz at one time.

Full Auto Function

Using the full auto function, the gain and the range selection are automatically set at the most appropriate settings. Hands-off operation allows for more time concentrating on your fishing and less time adjusting your echo sounder.

Selective Screen Modes

A wide array of screen modes lets you customize the CVS-118MkII for your style of fishing. Bottom-lock, bottom-zoom and various split-screen options insure that you are always set up to maximize your day's catch of fish. You can even set your split-screen applications horizontally or vertically depending on your personal preference. Never before has an echo sounder been developed to best suit every fisherman's taste.

EQUIPMENT LIST

Standard equipments	Display unit with hard cover, Hood, Mounting bracket and Fixing knobs	1 set
	DC power cable, Installation material, Spare parts, Accessories and Operation manual	1 set
Essential option	Transducer	
Options	Temp. & speed sensor, Connection cables for external devices, In-hull kit, Junction box and Power rectifier, AC Power cable	

CONNECTIONS

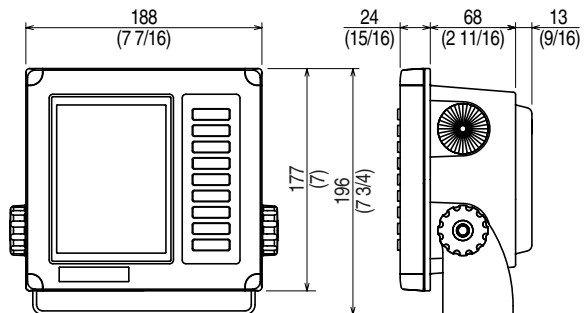


SPECIFICATIONS

Type	CVS-118MkII
Output power	300 W
Display	5.6 inch color TFT LCD (234 x 320 pixels)
Display colors	16 colors / 8 colors / Daytime color / Nighttime color + back ground color (blue, dark blue, black, white)
Frequency	Dual 50/200 kHz
Depth ranges	5, 10, 20, 40, 80, 120, 160, 240, 320 (Meter / Fathom / Italian Fathom) 10, 20, 40, 80, 160, 320, 640, 960, 1280 (Feet)
Zoom ranges	1/2, 1/4 and 1/8 of the selected depth range (Meter / Fathom / Italian Fathom / Feet), Min. 2.5 (Meter / Fathom / Italian Fathom) or 10 (Feet)
Image shift	Auto or Manual 0 to 640 (Meter / Fathoms / Italian Fathom) or 0 to 2560 (Feet)
Presentation modes	High frequency, Low frequency, Zoom image (Bottom lock, Bottom discrimination, Bottom zoom, Zoom, Sea bottom partial zoom) A-scope display can be added to all above modes Changeable to horizontally/vertically, up and down or left and right divided
Auto functions	Depth range, Shift and Gain
Input data format	NMEA 0183 (GGA, GLL, GNS, GTD, HDM, MTW, VTG) / NMEA 0182 / DC400
Output data format	NMEA 0183 (DBS, DBT, DPT, MTW, VHW)
Other functions	Bottom / Fish alarm, Image speed, Interference rejection, Color rejection, Depth marker (VRM), Event memory, Panel illumination, Draft adjustment, Temperature correct, Boat speed correct, White line
Power supply	10.8 to 31.2 VDC
Power consumption	15 W or less (at 12 VDC)
Water protection	IPX2

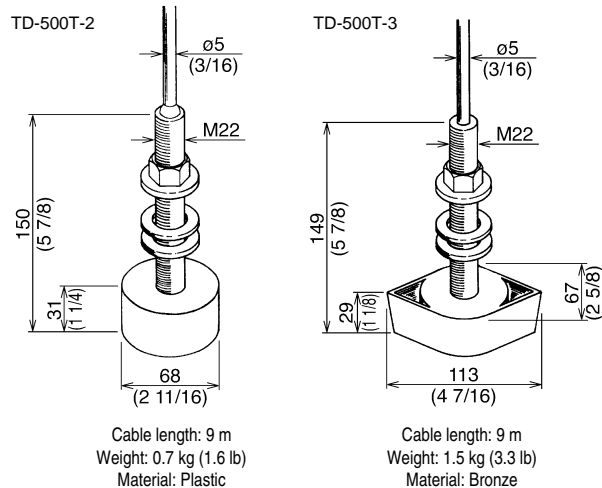
DIMENSIONS AND WEIGHT

Display unit



Weight: 2.2 kg (4.9 lb)

Transducer



Unit: mm (inch)

• Design and specifications are subject to change without notice.

KODEN Kodon Electronics Co., Ltd.

Tamagawa Office:
2-13-24 Tamagawa, Ota-ku, Tokyo, 146-0095 Japan
Tel: +81-3-3756-6501 Fax: +81-3-3756-6509
Uenohara Office:
5278 Uenohara, Uenohara-shi, Yamanashi, 409-0112 Japan
Tel: +81-554-20-5860 Fax: +81-554-20-5875

overseas@koden-electronics.co.jp

www.koden-electronics.co.jp



Safety precaution

To ensure proper and safe use of the equipment, please carefully read and follow the instructions in the Operation Manual.

For details, please contact: