

Class B Type **AIS** Transponder **SI-60B**



- ◆ Used for small size vessel that navigates around the adjoining sea. Real time monitoring to interlock NAVIS Plotter, MKD, PC. So it can detect the other vessel nationality, navigational information.
- ◆ Enable to receive Class A, Class B.

NEW



MAX
C-MAP NT

Option



SD Card Slot

- ▶ What is Class "B" AIS Transponder ?
It is designed as a low cost and lowers the Class "A" AIS function and level to detect small vessels that navigates around the near sea at a glance.

Class "B" AIS Transponder

MODEL : SI-60B



FEATURES

- ▶ Real time display of navigation information as MMSI, Vessel name and others on Samyung Navis chartplotters, AIS display(Si-30D) and any PC(S/W).
- ▶ Easy and simple installation process.
- ▶ Dual baud rate 4800 or 38400.
- ▶ Enable to receive Class A & Class B.
- ▶ RS-232,422 Input/Output Port.
- ▶ Transfer data AIS channel 87B(161.975MHz) & 88B(162.025MHz) onto Samyung display units.
- ▶ Simple connection to and from GPS through RS-232, 422
- ▶ LED display for easy status check-up (POWER, TX, RX, STATUS, ERROR)

SPECIFICATIONS

Generals

- Frequency : 156.025MHz ~ 162.025MHz
Default channel 88B, AIS(162.025MHz)
Default channel 87B, AIS(161.975MHz)
- Channel spacing : 25KHz
- Operation : Simplex 7 Semi-duplex
- Antenna impedance : 50Ω(SO-239)
- Frequency stability rate : ±10PPM(-20℃ ~ +60℃)
- Data rate : 9600
- Power supply : 12~36VDC, 0.4A Max.(DC 12V)
- Operation temperature : -15℃ ~ +55℃

Transmitter

- Output power : 2W(33dBm ± 1.5dB)
- Modulation : GMSK

Receiver

- Sensitivity : -107dBm(Message error rate : 20%)
- Adjacent channel : 70dB

- IMD : 65dB
- Blocking : 84dB

I/O Interface

- RS-232/RS-422 : 38400/4800
- External interface : ITU/NMEA-0183

Compliant with

- IEC62287-1 Class B
- IEC61162-1
- ITU-RM.1371-1
- EN-60945

COMPONENTS

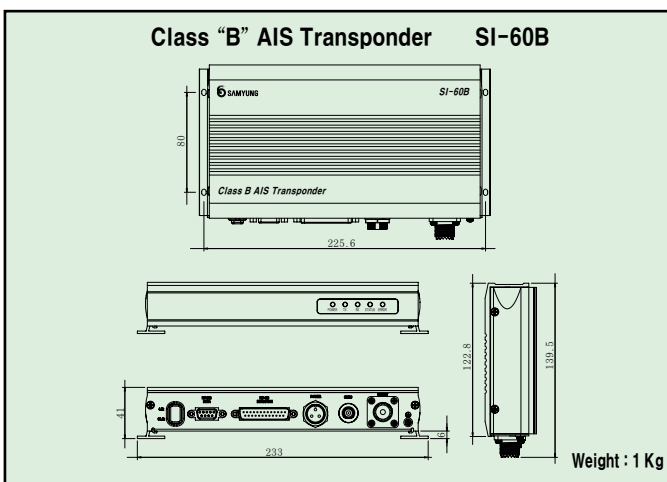
Standard

- AIS Transponder(SI-60B)
- VHF Antenna
- GPS Antenna
- Installation Materials/Spare Parts
- Instruction Manual

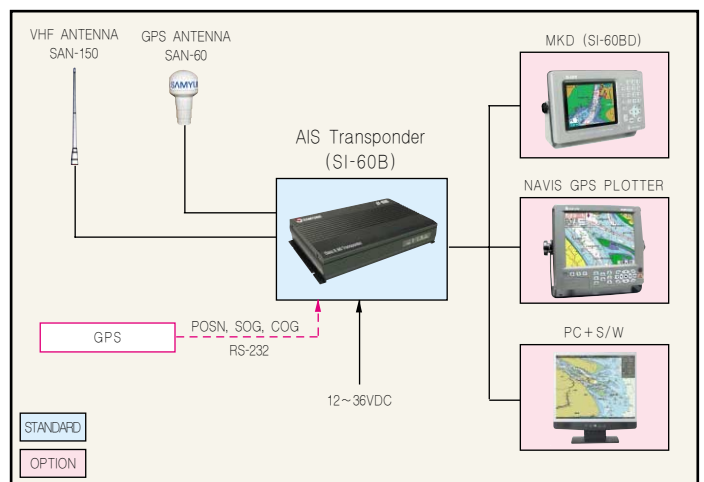
Option

- MKD(SI-60BD)
- PC+S/W
- NAVIS GPS Plotter

DIMENSIONS



CONFIGURATION



* Specification is subject to change without pre-notice

SAMYUNG ENC Co.,Ltd.

Head Office : 1123-17, Dongsam-Dong, Youngdo-Gu, Busan, Korea, 606-083
Tel : 82-51-601-5530(Rep.) Fax : 82-51-413-4446
A/S Center : 65-20, 2-Ga Namhang-Dong, Yungdo-Gu, Busan, Korea, 606-032
Tel : 82-51-601-5570~4(Rep.) Fax : 82-51-416-5515
Http : //www.samyungenc.com



ISO 9001:2000 / KS A 9001:2001
Certificate No. : RQM0645

