

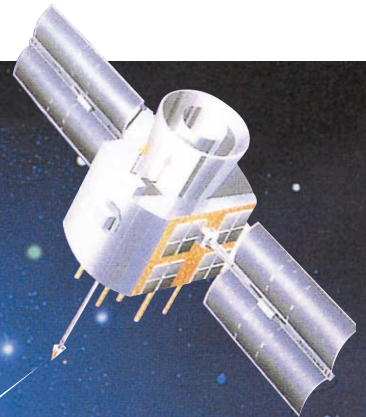
Small Size / Light Weight

GPS NAVIGATOR

SPR-1400

- Compliant with IMO and MSC standard.
- Small size, Light weight, Easy installation.

NEW PRODUCT



2D 2001.06.20 U10:07
35'43.999^N
139'34.439^W
 SOG 12.0 kt COG 128 WGS-84
 NAVIGATION DATA MODE

3D 320 # x
 TRK:220
 BRG:241°
 RNG: 0.80 #
 35°05.221^N 129°04.180^E
 TEMPORARY PLOTTER MODE

BRG 24° CURSOR
 COG 25°
 RNG 8.4 #
 SOG 12.5 #
 ATE 0.02
 HIGHWAY MODE



3D CURSOR 21:34
 W 300 330 N 30 60 E
 SOG: 12.6 # COG: 358°
 RNG: 8.4 # BRG: 35°
 TTG: 99H59M ETA: 12:30
 STEERING MODE

3D 2001.10.17 U23:12
PWR 24.0 V
 SOG 12.5 kt COG 354°
 USER MODE(DIGITAL)

3D 23:12 56
 PWR 24.0v
 SOG 12.5 #
 COG 354°
 TRIP 100.0 #
 USER MODE(SPEEDOMETER)

Small Size / Light Weight GPS NAVIGATOR

SPR-1400

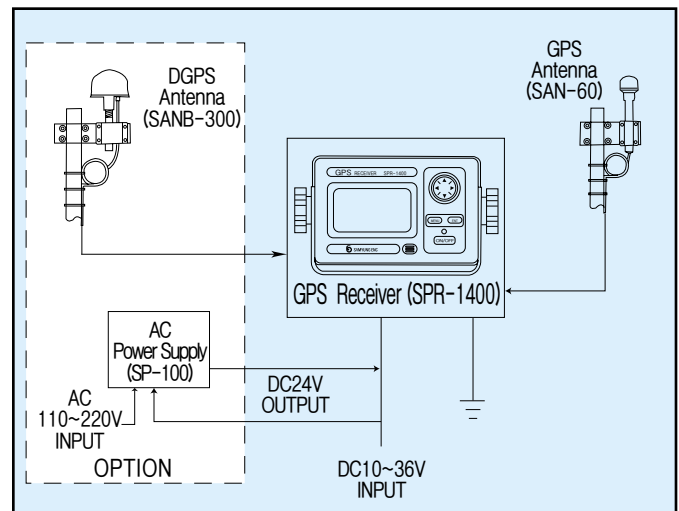
FEATURES

- Compliant with IMO and MSC standard.
- Small size, Light weight, Easy installation.
- All data with big letters can be displayed in one screen.
- Interface with PC to print out destination, mark and routes.
- No need to initially set-up the machine as it is of full automation.
- Easy night navigation with full light support in screen at every stage.
- Has temporary plotter function.
- WGS-84 and other way of geodetic survey can be selectable.

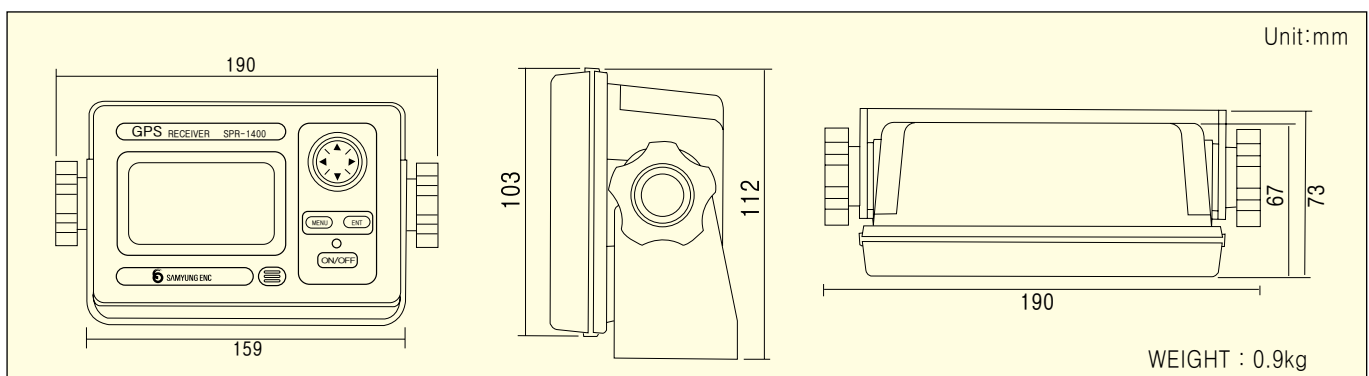
SPECIFICATIONS

- Receiver Frequency : L1 1575.42 MHZ (C/A code)
- Display Resolution : 128 × 64 dot LCD(3inch)
- Receiving Type : Digital 12 Channels multi tracking type
- Receiving Sensitivity : below -130dBm
- Resolution : 1/1000 Lat. and Longitude
- Accuracy : In case of GPS,
Position : 10m 2D RMS (HDOP < 2)(SA OFF)
In case of DGPS,
Position : 3m 2D RMS (HDOP < 2)(SA OFF)
- Speed Accuracy : 0.1Knots RMS(HDOP<2, SA OFF)
- Destination Memory : WAYPOINT/MARK/MOB 1000 points in total
- Mark : position, course, average speed, destination, accessing speed, name of destination, route navigation, distance to destination, direction, time required, secession from route
- Display Mode : Temporary plotter mode, Steering mode, Highway mode, Navigation Data mode, User mode(Digital, Speedometer)
- Plotter mode : 0.02, 0.05, 0.1, 0.2, 0.5, 1, 2.5, 19, 20, 50, 160, 320nm
- Highway mode : 0.2, 0.4, 0.8, 1, 2, 4, 8 16nm
- Temperature : Main : -20°C ~ +55°C, Antenna : -40°C ~ +85°C
- Relative moisture : 0~95%
- Input/ Output of Data : - INPUT RS-232C, OPUPUT RS-232C & TTL
- SAMYUNG, NMEA 0183(Ver1.5, 2.0), FURUNO(CIF), JRC
- Power Supply : DC 10 ~ 36V / 0.08~0.3A(Max. below 4W)

CONFIGURATION



DIMENSIONS



SAMYUNG ENC Co.,Ltd.

Head Office : 1123-17, Dongsam-Dong, Youngdo-Gu, Busan, 606-083, Korea
Tel : 82-51-601-6666(Rep.) Fax : 82-51-412-6616
Marketing & Service : 65-20, 2-Ga Namhang-Dong, Yungdo-Gu, Busan, Korea, 606-032
Tel : 82-51-601-5530(Rep.) Fax : 82-51-413-4446
Http : //www.samyungenc.com



ISO 9002 / KS A 9002
Certificate No. : RQM0645

