

MARINE DSC/VHF RADIO TELEPHONE

- Compliant with DSC performance standard and GMDSS regulation according to ITU and IMO.
- Compact size and light weight for easy installation.
- Over 160 characters with information in one large LCD.
- Class A type DSC/VHF for GMDSS built-in dedicated receiver CH70.

**Smaller Size !!
Improved Performance !!**

NEW



STR-6000A



FEATURES

- ▶ Includes all channels specified in ITU-RR(NOAA Weather channel)
- ▶ DUAL/TRIPLE WATCH function and TAG SCAN function built-in.
- ▶ 20 MMSI number in 2 groups-MMSI number save, edition and call function.
- ▶ Latitude/Longitude display function when connected with GPS.
- ▶ Over 160 characters can be seen in one large LCD.
- ▶ Priority selection of Ch.16 and adoption of noise free mic.
- ▶ Compact & light design for any-where installation.

SPECIFICATIONS

■ GENERALS

- TX Frequency : 151.000~159.150MHz
- RX Frequency : 151.000~163.275MHz
- Communication Mode : Simplex and Semi-Duplex
- Channel Number : 183 channels (ITU 55, USA 57, CAN 61, WEA 10)
- Private Channel : 760 channels
- Type of Emission : FM(16K0G3E), DSC(16K0G2B)
- Freq. Stability : ± 10 ppm($-20^{\circ}\text{C} \sim +60^{\circ}\text{C}$)
- Antenna Impedance : 50Ω
- Consumed Currency (13.6V) : TX high 5.5A max Max. Audio 1.5A max
- Power Supply : DC 24V (DC 18 ~ 31.2V)
AC 100 ~ 120V, AC 200 ~ 240V

■ TRANSMITTER UNIT

- Antenna Output : HIGH/25W, LOW/1W
- Starting Mode : SYNTHESIZER mode
- Modulation Mode : VARIABLE REACTANCE FREQUENCY MODULATION
- Occupancy Band Width : Within :16KHz
- Max. Freq. Deviation : ± 5 KHz
- Spurious Emission : Over 70dB
- MIC Input Impedance : $2k\Omega$

■ RECEIVER UNIT

- Receiving Mode : DOUBLE CONVERSATION SUPER HETERODYNE
- Receiving Sensitivity : $0.32\mu\text{V}$ (20dB SINAD), $0.22\mu\text{V}$ (12dB SINAD)
- Squelch Sensitivity : Less than $0.22\mu\text{V}$

- Spurious Emission : Less than -70dB
- Residual Noise Level : Less than -40dB
- Audio Output : 4.5W / 4Ω

■ DSC WATCH KEEPING RECEIVER

- Receiving Freq. : 156.525MHz
- Radio Wave Mode : G2B
- DSC Modulation Speed : 1200baud(Within 600Hz $\pm 30 \times 10^{-6}$ Freq.)
- DSC Modulation Mode : FSK
- DSC Modulation Quotient : Within $m=2 \pm 10\%$
- Adjacent Channel Select : Less than 10^{-2} Bit error rate
- Spurious Response : Less than 10^{-2} Bit error rate
- Inter-Modulation Response : Less than 10^{-2} Bit error rate
- Dynamic Range : Less than 10^{-2} Bit error rate

COMPONENTS

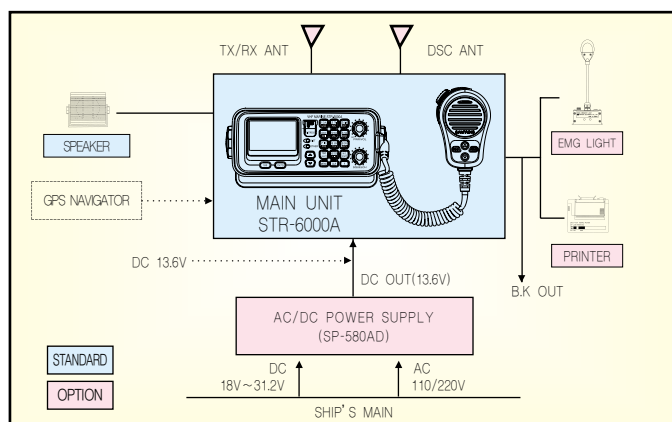
■ STANDARD

- Transceiver Unit(STR-6000A)
- Hand MIC(SM-6000)
- Speaker (SS-6000)
- Installation Material
- Instruction Manual

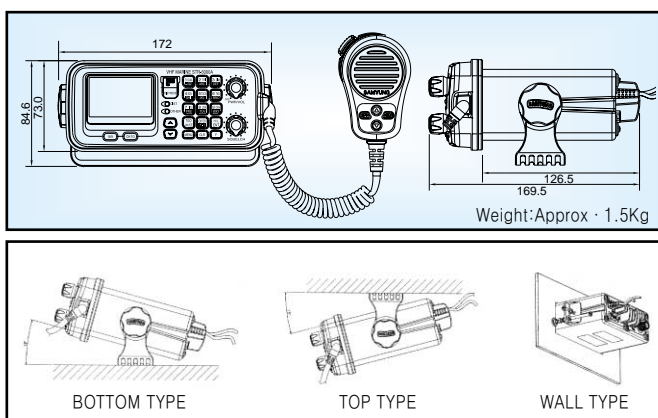
■ OPTION

- Whip Antenna (SAN-150)
- Power Supply (SP-580AD)
- Bracket for Flushing Type(SMB-60)
- EMG LIGHT
- Printer(DPU-414)

CONFIGURATION



DIMENSIONS & INSTALLATIONS



* Specification is subject to change without pre-notice